



INNOVATION IN HIDDEN
TEMPERATURE CONTROL

Ambiance Air

A concealed luxury PTAC

FRC SERIES

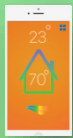
WALL SPLIT UNIT – MODEL WL 140 - 210

FEATURES

- ✓ Concealed, hidden design
- ✓ Through the wall installation – No external unit
- ✓ Less build-out than Central AC
- ✓ Ideal for retrofit projects and new constructions
- ✓ High-end residentials & commercials
- ✓ UL listed products
- ✓ No required millwork enclosure
- ✓ Alternative to PTAC units / Central Air systems
- ✓ Ductless split system
- ✓ Suction accumulator pre-charged with refrigerant R-134a
- ✓ Piping length up to 150 Ft between condenser and evaporator units

- ✓ 24-hours operation - Cooling / Heating mode
- ✓ Fast restart due to bypass valve
- ✓ Self-integrated condensate pump with spray system
- ✓ Brushless DC fan for noise reduction
- ✓ Summer fan mode
- ✓ Auto / Manual fan speed mode
- ✓ Energy efficient rotary compressor
- ✓ High efficiency – 15 000 to 23 000 Btu/h
- ✓ High SEER
- ✓ Built-in sensors for remote assistance
- ✓ Digital wireless touchpad controls
- ✓ IOS App for remote control

IOS App



Thermostat



ADDITIONAL HEAT EXCANGER COIL
C: Not installed
D: Water + valve 24Vdc/ac
E: Steam + valve 24Vdc/ac
F: Water
G: Steam

MAIN IDENTIFICATION
COMPANY'S CODE

Size
140
210

VOLTAGE
1: 110–125 V
2: 208–240 V

FREQUENCY
A: 60 Hz
B: 50 Hz

THERMOSTAT – REMOTE CONTROL
L: Normally included (basic configuration)
M: WiFi thermostat

FRC CU 140 MB 2 A 3 C 8 L

MODEL TYPE
CU: Compact Unit
WL: Wall
CL: Ceiling

PART OF HEAT PUMP
CF: Ceiling Fan
CR: Compressor Unit
MB: MonoBlock
WF: Wall Fan

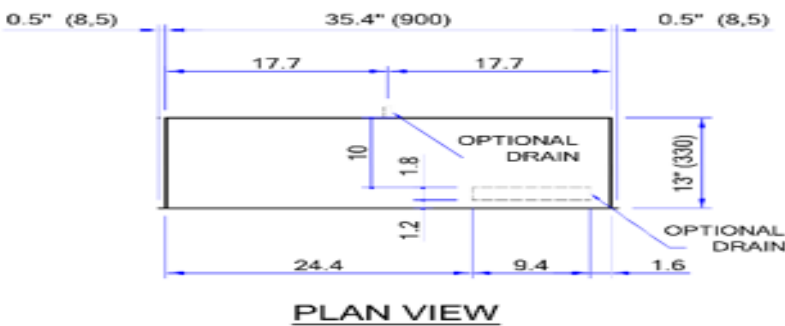
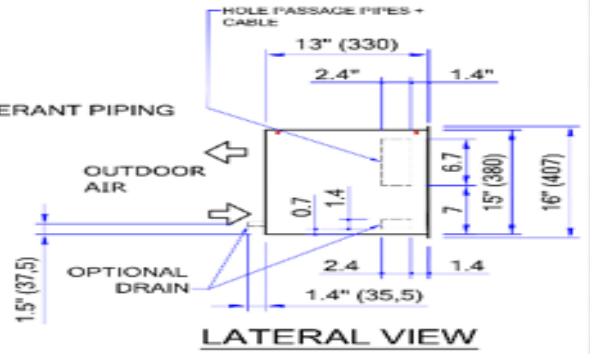
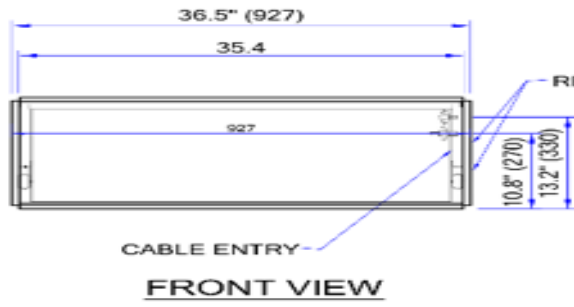
GAS PRELOADED
3: R134A
4: R407C
5: R410A
6: HFO1234YF

ELECTRIC HEAT
7: 750+750 W (2 steps)
8: 1500+1500 W (2 steps)
9: Not installed



**FRC SERIES
MODEL WL 140**

**DIMENSIONS WALL SPLIT UNIT
MODEL WL 140 – up to 15 554 Btu/h**



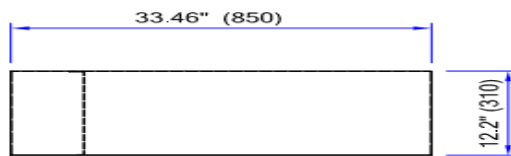
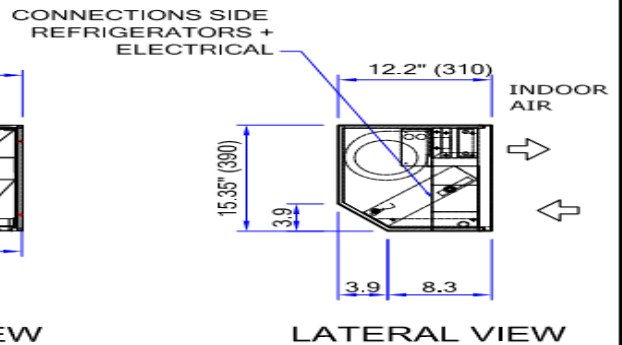
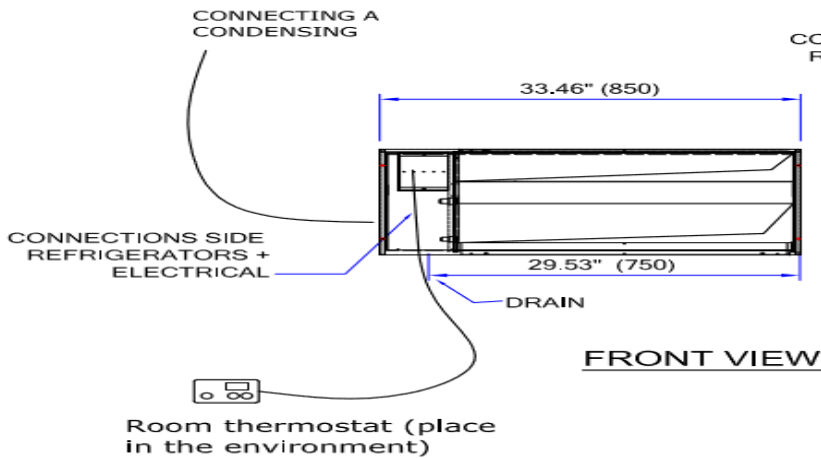
CONDENSER UNIT

DESCRIPTION : CONDENSER - MODEL HEAT PUMP

FRC – WL – 140 RIF : NYC / Cooling : 15,554 BTU/H

DEPTH x WIDTH x HEIGHT (Sleeve)

13¹³/₆₄" x 36¹/₂" x 14 61/₆₄"



EVAPORATOR UNIT

DESCRIPTION : EVAPORATOR

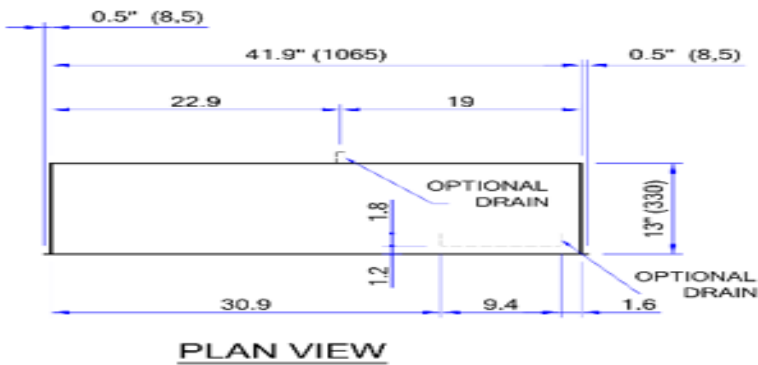
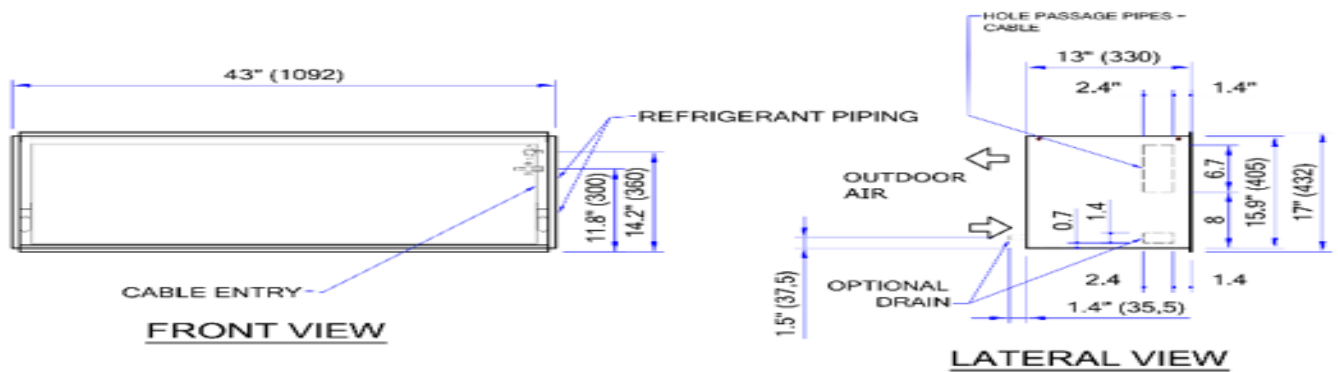
FRC – WL – 140 RIF : NYC

DEPTH x WIDTH x HEIGHT

12 13/₆₄" x 33 15/₃₂" x 15 23/₆₄"

**FRC SERIES
MODEL WL 210**

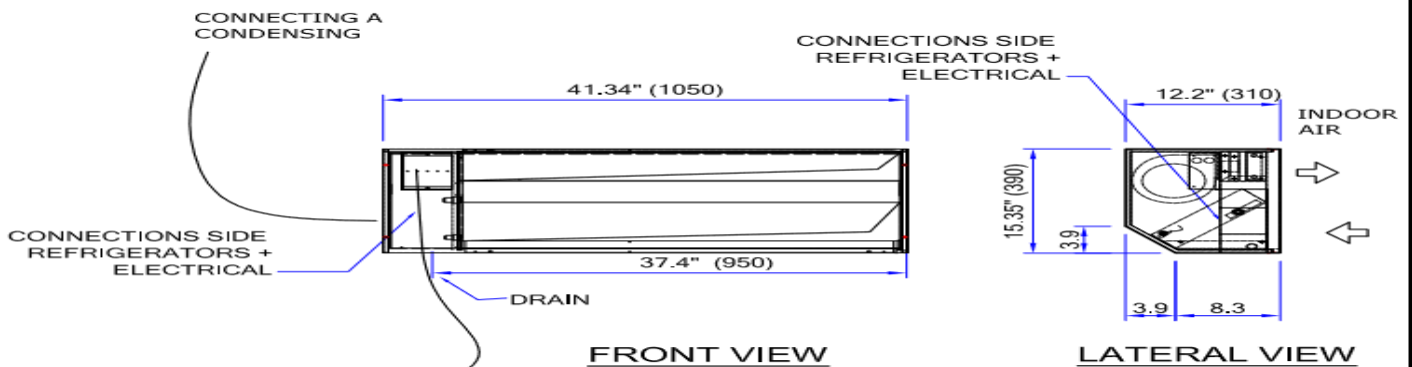
**DIMENSIONS WALL SPLIT UNIT
MODEL WL 210 – up to 22 624 Btu/h**



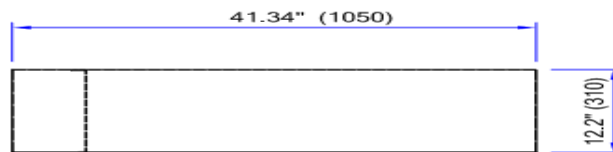
CONDENSER UNIT

DESCRIPTION : CONDENSER - MODEL HEAT PUMP
FRC – WL – 210 RIF : NYC / Cooling : 22,624 BTU/H

DEPTH x WIDTH x HEIGHT (Sleeve)
13" x 43" x 15 15/16"



Room thermostat (place in the environment)



EVAPORATOR UNIT

DESCRIPTION : EVAPORATOR
FRC – WL – 210 RIF : NYC

DEPTH x WIDTH x HEIGHT
12 13/64" x 41 11/32" x 15 23/64"



INNOVATION IN HIDDEN
TEMPERATURE CONTROL

Ambiance Air

A concealed luxury PTAC

Serie FRC – WL (Wall Unit)			MODEL 140	MODEL 210
HEATING PUMP CAPACITY	high speed	BTU/h	17,671	25,433
	medium speed	BTU/h	16,448	22,731
	low speed	BTU/h	15,790	21,157
Indoor temperature 70°F Indoor humidity 55% Outdoor air +47°F	high speed	kW	5.2	7.5
	medium speed	kW	4.8	6.7
	low speed	kW	4.6	6.2
Coefficient of performance	C.O.P.	(BTU/h)/kW	15.7	14.6
Total power input	nominal	kW	1.1	1.7
Electrical power	nominal	A	5.9	9.2

2 STAGE HEATERS	high speed	BTU/h	10,227	10,227
	medium speed	BTU/h	5,114	5,114
	low speed	BTU/h	5,114	5,114
Indoor temperature 70°F Indoor humidity 55%	high speed	kW	3.0	3.0
	medium speed	kW	1.5	1.5
	low speed	kW	1.5	1.5
Total power input	nominal	kW	3.3	3.3
Electrical power	nominal	A	15.7	15.9

COOL CAPACITY TOTAL	high speed	BTU/h	15,554	22,624
	medium speed	BTU/h	15,135	22,058
	low speed	BTU/h	15,190	21,465
Indoor temperature 80°F Indoor humidity 51% Outdoor temperature +95°F Outdoor humidity 39%	high speed	kW	4.6	6.6
	medium speed	kW	4.4	6.5
	low speed	kW	4.5	6.3
Energy efficiency ratio	E.E.R.	(BTU/h)/kW	14.5	13.8
Total power input	nominal	kW	1.1	1.6
Electrical power	nominal	A	5.4	8.2

Air flow	high speed	cfm	399	491
	medium speed	cfm	337	399
	low speed	cfm	295	337
Power only fan	high speed	kW	0.08	0.09
	medium speed	kW	0.07	0.07
	low speed	kW	0.06	0.06
Power consumption	Stand-by	kW	0.01	0.01
Maximum power consumption	max	A	10	16
Source voltage		standard	208-230 volt\1phase\60herz	
Refrigerant		type	R134A	
Noise room level cold	max-med-min	dB(A)	40-31-29	42-35-30
Noise room level heat pump	max-med-min	dB(A)	41-32-30	41-34-30
Noise room level electric heaters	max-med-min	dB(A)	32-30-28	35-31-28
Noise external level	max-min	dB(A)	45-33	49-36
Refrigerating pipes	nominal	inches	1/4 - 3/4 (up 5 meters)	
Weight internal unit		kg	19	22
Weight external unit		kg	36	40

Noise hemispheric field at a distance of 3 m in room ambient - Noise hemispheric field at a distance of 10 m in external ambient

Heatpump designed to operate up to 32°F outside in winter - Temperatures below the heating is provided only by electric heaters



ACCESSORIES for all version CU-WL-CL

FRC SERIES MODEL 140	FRC SERIES MODEL 210
WATER COIL + 24Vdc/ac (140) VALVE	WATER COIL + 24Vdc/ac (210) VALVE
STEAM COIL + 24Vdc/ac (140) VALVE	STEAM COIL + 24Vdc/ac (210) VALVE
WATER COIL (140)	WATER COIL (210)
STEAM COIL + 24Vdc/ac (140) VALVE	STEAM COIL + 24Vdc/ac (210) VALVE
ELECTRIC HEATER 750+750W	ELECTRIC HEATER 1500+1500W
STANDARD WIFI KBLUE THERMOSTAT	

MODEL – HEAT PUMP – FRC SERIES WL 140 / 210

