



INNOVATION IN HIDDEN
TEMPERATURE CONTROL

Ambiance Air

A concealed luxury PTAC

FRC SERIES

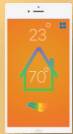
COMPACT UNIT – MODEL CU 140 - 210

FEATURES

- ✓ Ideal for retrofit / new construction projects
- ✓ High-end residentials & commercials
- ✓ PTAC replacement unit
- ✓ Easy installation / No build-out
- ✓ Through the wall installation
- ✓ UL listed products
- ✓ 24-hours operation - Cooling / Heating mode
- ✓ Fast restart due to bypass valve
- ✓ Suction accumulator pre-charged with refrigerant R-134a

- ✓ Self-integrated condensate pump with spray system
- ✓ Brushless DC fan for noise reduction
- ✓ Summer fan mode
- ✓ Auto / Manual fan speed mode
- ✓ Energy efficient rotary compressor
- ✓ High efficiency – 15 000 to 23 000 Btu/h
- ✓ High SEER
- ✓ Built-in sensors for remote assistance - optional
- ✓ Digital wireless touchpad controls
- ✓ IOS App for remote control

IOS App



Thermostat



ADDITIONAL HEAT EXCANGER COIL
C: Not installed
D: Water + valve 24Vdc/ac
E: Steam + valve 24Vdc/ac
F: Water
G: Steam

MAIN IDENTIFICATION
COMPANY'S CODE

Size
140
210

VOLTAGE
1: 110–125 V
2: 208–240 V

FREQUENCY
A: 60 Hz
B: 50 Hz

THERMOSTAT – REMOTE CONTROL
L: Normally included (basic configuration)
M: WiFi thermostat

FRC CU 140 MB 2 A 3 C 8 L

MODEL TYPE
CU: Compact Unit
WL: Wall
CL: Ceiling

PART OF HEAT PUMP
CF: Ceiling Fan
CR: Compressor Unit
MB: MonoBlock
WF: Wall Fan

GAS PRELOADED
3: R134A
4: R407C
5: R410A
6: HFO1234YF

ELECTRIC HEAT
7: 750+750 W (2 steps)
8: 1500+1500 W (2 steps)
9: Not installed





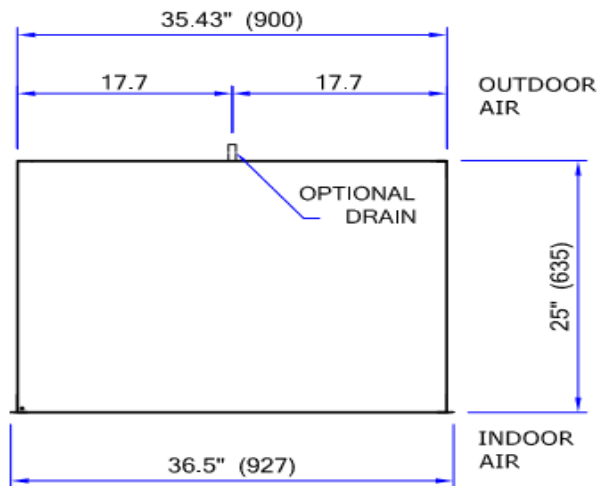
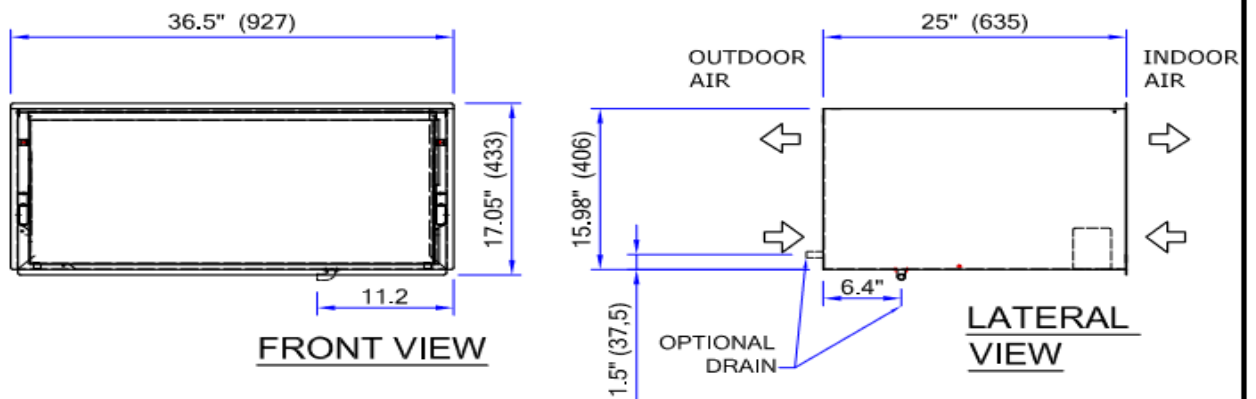
INNOVATION IN HIDDEN
TEMPERATURE CONTROL

Ambiance Air

A concealed luxury PTAC

**FRC SERIES
MODEL CU 140
TYPE 1**

**DIMENSIONS COMPACT UNIT – MODEL CU 140 – up to 15 400 Btu/h
COMPACT UNIT – PTAC**



DESCRIPTION :

MODEL HEAT PUMP

FRC – CU – 140 RIF : NYC

Cooling : 15,400 BTU/H

DEPTH x WIDTH x HEIGHT (Sleeve)

25" X 36¹/₂" X 17³/₆₄"



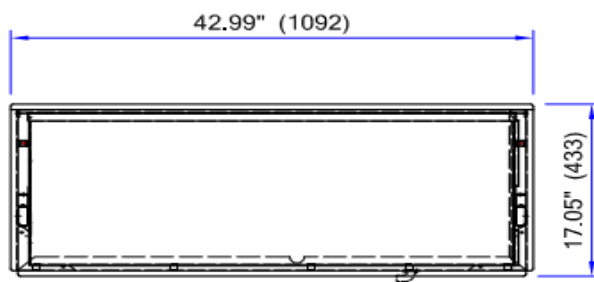
INNOVATION IN HIDDEN
TEMPERATURE CONTROL

Ambiance Air

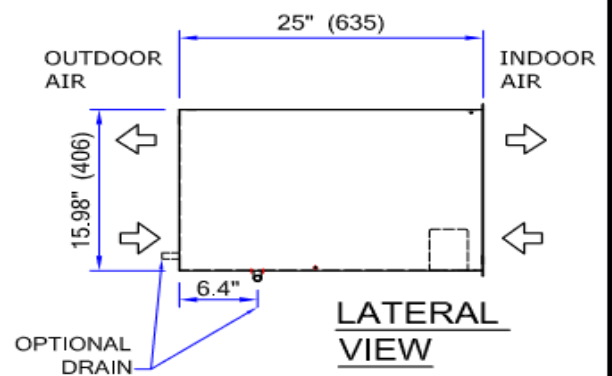
A concealed luxury PTAC

FRC SERIES
MODEL CU 210
TYPE 1

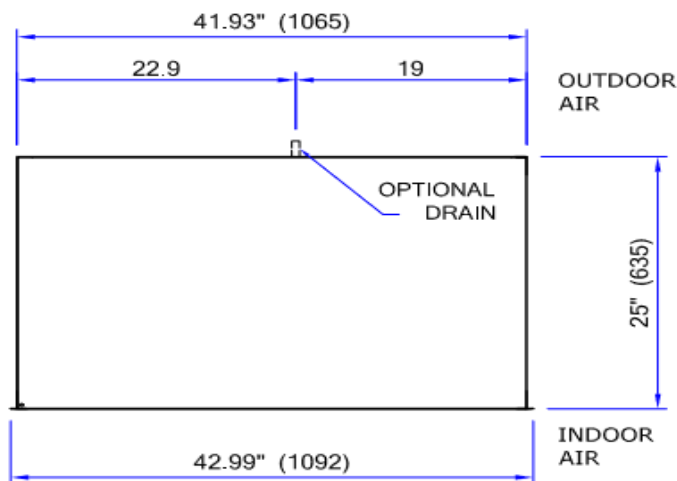
DIMENSIONS COMPACT UNIT – MODEL CU 210 – up to 22 400 Btu/h
COMPACT UNIT – PTAC



FRONT VIEW



LATERAL VIEW



PLAN VIEW

DESCRIPTION :

MODEL HEAT PUMP

FRC – CU – 210 RIF : NYC

Cooling : 22,400 BTU/H

DEPTH x WIDTH x HEIGHT (Sleeve)

25" X 42⁶³/64" X 17³/64"



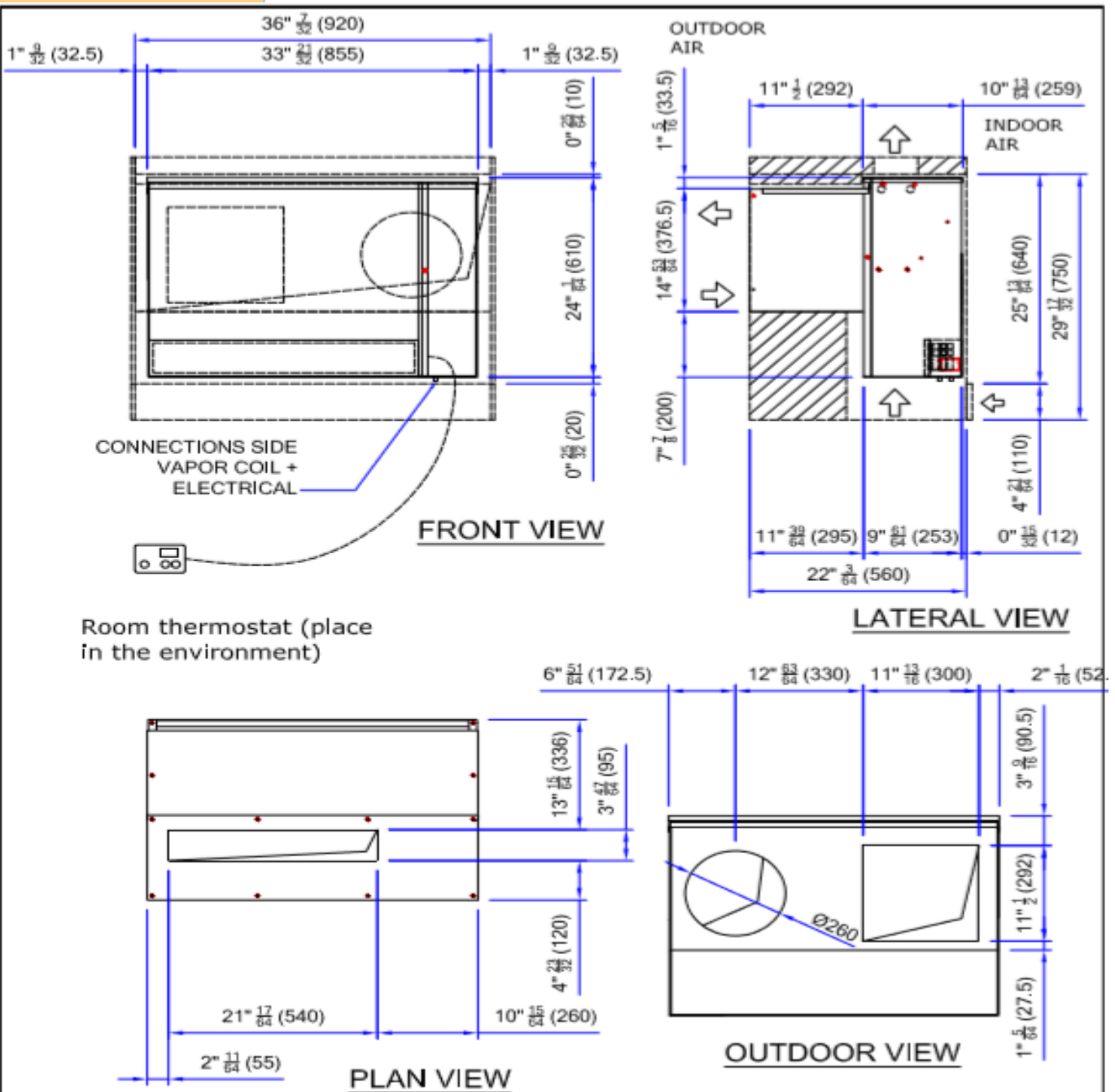
INNOVATION IN HIDDEN
TEMPERATURE CONTROL

Ambiance Air

A concealed luxury PTAC

**FRC SERIES
MODEL CU 140
TYPE 2**

**DIMENSIONS COMPACT UNIT
MODEL CU 140 – up to 15 400 Btu/h
COMPACT UNIT – PTAC
Replacement for Island Air EZ series 25**



MODEL HEAT PUMP
FRC – CU – 140 RIF : NYC
Cooling : 15,400 BTU/H

DEPTH x WIDTH x HEIGHT (Sleeve)
22"3/64 x 36 7/32" x 14 53/64"
Replacement for Islandaire EZ series 25



INNOVATION IN HIDDEN
TEMPERATURE CONTROL

Ambiance Air

A concealed luxury PTAC

Serie FRC – CU (Compact Unit)			MODEL 140	MODEL 210
HEATING PUMP CAPACITY	high speed	BTU/h	16,050	23,100
	medium speed	BTU/h	15,408	21,501
	low speed	BTU/h	14,792	20,012
Indoor temperature 70°F Indoor humidity 55% Outdoor air +47°F	high speed	kW	4.7	6.8
	medium speed	kW	4.5	6.3
	low speed	kW	4.3	5.9
Coefficient of performance	C.O.P.	(BTU/h)/kW	13.7	13.4
Total power input	nominal	kW	1.2	1.7
Electrical power	nominal	A	6.2	9.1
2 STAGE HEATERS	high speed	BTU/h	10,227	10,227
	medium speed	BTU/h	5,114	5,114
	low speed	BTU/h	5,114	5,114
Indoor temperature 70°F Indoor humidity 55%	high speed	kW	3.0	3.0
	medium speed	kW	1.5	1.5
	low speed	kW	1.5	1.5
Total power input	nominal	kW	3.0	3.0
Electrical power	nominal	A	14.3	14.3
COOL CAPACITY TOTAL	high speed	BTU/h	15,400	22,400
	medium speed	BTU/h	14,985	21,840
	low speed	BTU/h	15,040	21,252
Indoor temperature 80°F Indoor humidity 51% Outdoor temperature +95°F Outdoor humidity 39%	high speed	kW	4.5	6.6
	medium speed	kW	4.4	6.4
	low speed	kW	4.4	6.2
Energy efficiency ratio	E.E.R.	(BTU/h)/kW	12.7	12.7
Total power input	nominal	kW	1.2	1.8
Electrical power	nominal	A	6.1	8.8
Air flow	high speed	cfm	384	472
	medium speed	cfm	325	384
	low speed	cfm	283	325
Power only fan	high speed	kW	0.09	0.11
	medium speed	kW	0.07	0.09
	low speed	kW	0.06	0.06
Power consumption	stand-by	kW	0.01	0.01
Maximum power consumption	max	A	10	16
Source voltage		standard	208-230 volt\1phase\60herz	
Refrigerant		type	R134A	
Indoor noise level cold	high-medium-low	dB(A)	41-32-30	44-36-32
Indoor noise level heat pump	high-medium-low	dB(A)	42-33-30	44-38-33
Indoor noise level electric heaters	high-medium-low	dB(A)	34-31-29	36-32-29
Outdoor noise level	high-low	dB(A)	49-33	53-37
Weight		kg	55	65

Noise hemispheric field at a distance of 3 m in room ambient - Noise hemispheric field at a distance of 10 m in external ambient

Heatpump designed to operate up to 32°F outside in winter - Temperatures below the heating is provided only by electric heaters

ACCESSORIES for all version CU-WL-CL

FRC SERIES MODEL 140	FRC SERIES MODEL 210
WATER COIL + 24Vdc/ac (140) VALVE	WATER COIL + 24Vdc/ac (210) VALVE
STEAM COIL + 24Vdc/ac (140) VALVE	STEAM COIL + 24Vdc/ac (210) VALVE
WATER COIL (140)	WATER COIL (210)
STEAM COIL + 24Vdc/ac (140) VALVE	STEAM COIL + 24Vdc/ac (210) VALVE
ELECTRIC HEATER 750+750W	ELECTRIC HEATER 1500+1500W
STANDARD WIFI KBLUE THERMOSTAT	

MODEL – HEAT PUMP – FRC SERIES CU 140 / 210

